

# PRESSURE TRANSDUCER TR4-AFC A MEMBRANA AFFACCIATA

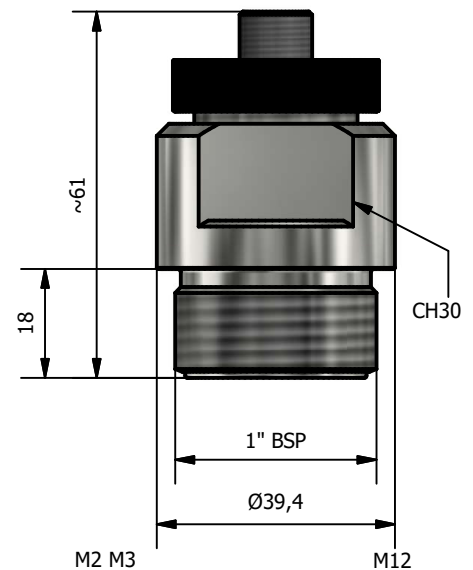
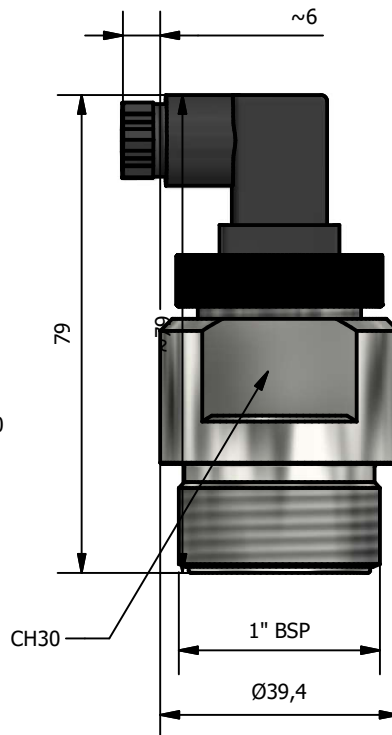
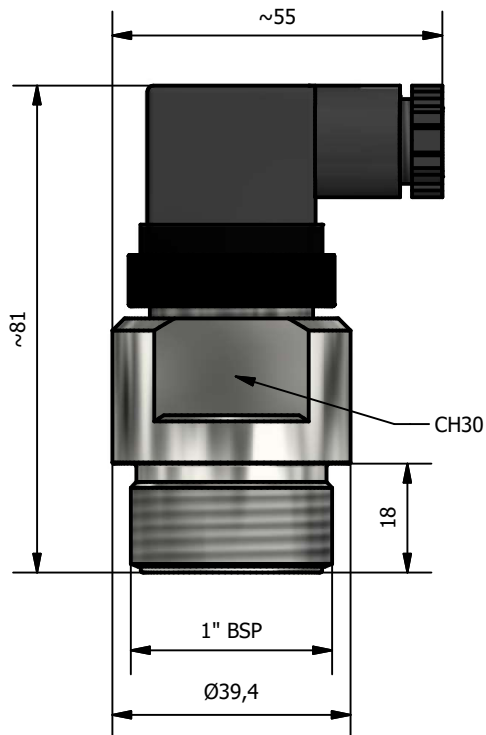
## TR4-AFC flush-diaphragm- pressure transducer



M3

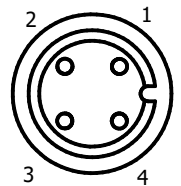
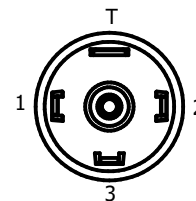
M2

M12




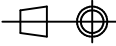
### TECHNICAL FEATURES

- Wet parts: Ceramic sensor with incorporate FKM seal
- Body: AISI 316L
- Hydraulic connection: 1" BSP male, other thread on request
- Mesasure range: from -1 to 400 bar
- Output Signal: 4-20mA / 0-20 mA / 0-10V
- Power Suply: from 9 to 28 Volt DC
- Working temperature: from -20°C to +80°C
- Not linearity + hysteresis: <1% of end of scale
- Zero thermal drift: <3% of the end of scale from 0°C to +70°C
- Weight: 0.25 Kg



### ELECTRICAL CONNECTION

Execution	4÷20mA 2 wires	0÷10V 3 wires
Power Supply	V DC Stabilized	V DC Stabilized
Pin 1	Power Supply +	Power Supply +
Pin 2	Signal 4-20mA	Signal 0-10V
Pin 3	/	Alimentazione ND
Pin 4	/	/

CAD ref.: <b>TR4-AF-M3-2015.iam</b>	Drawn:	24/03/2015	Name:	E.L.	DESCRIPTION: Pressure transducer TR4-AFC	SCALE:
	Checked:	24/03/2015	Name:	ec		
	Approved:		Name:			
ALL DIMENSION ARE IN MILLIMETER EXCEPT WHERE OTHERWISE NOTED	Projection: ISO128	FOX S.r.l. Via Romagna 6 20090 Opera (MI) ITALY		DRAWING No/FILE NAME TR4-AFC	SHEET 1 of 1	
						

THIS DRAWING IS PROPERTY OF FOX S.r.l. COPYRIGHT , PATENTS AND ALL INDUSTRIAL PROPERTY RIGHTS RESERVED